

ISO  
9001:2008  
REGISTERED



SGS



BUREAU  
VERITAS

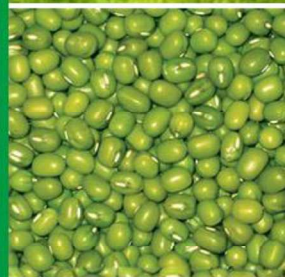


www.synmec.com

# SYNMEC

## 5XWY Series Indented Cylinder

Advanced cleaner removes larger and shorter seed and damaged seed.



# SYNMEC

The world top Manufacturer Adviser for Grain Cleaning Seed Processing Solutions

## Introduction

The 5XWY Series Indented Cylinder (Length Grader) also named Grain Selecting Grader or Broken Grain Separator. It grades the grain & seeds according to length, it can separate the longer or shorter impurities from granular materials.

Indented cylinders are used for length grading of all granular materials such as wheat, rice, oat, buckwheat, grass seed, sticks from sunflower seed or sugar beet, plastic particles etc., as well as for extraction of unwanted short or long admixtures.



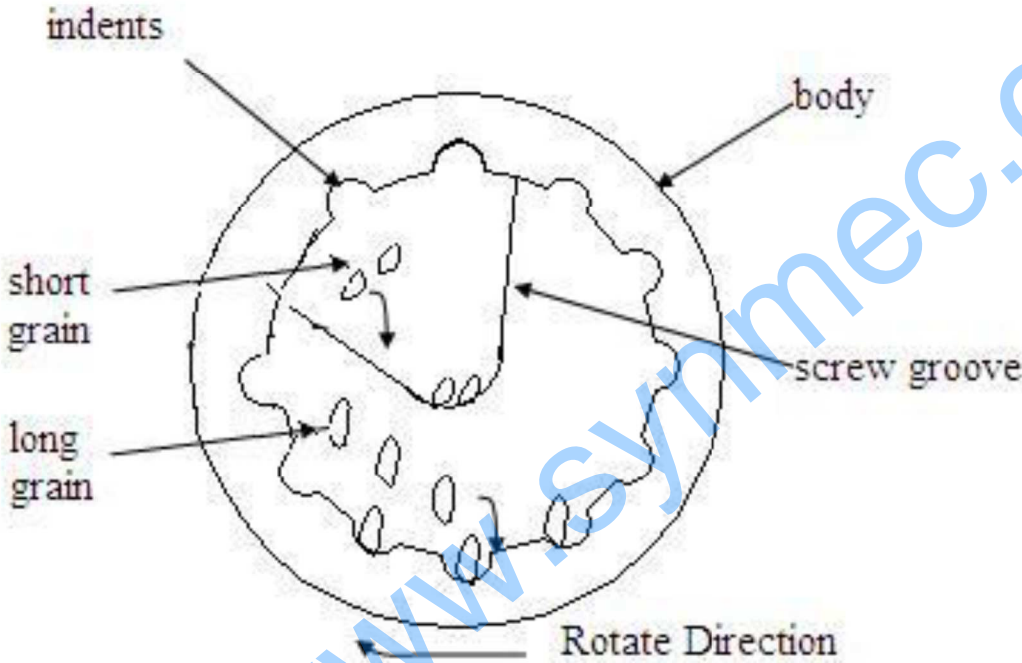
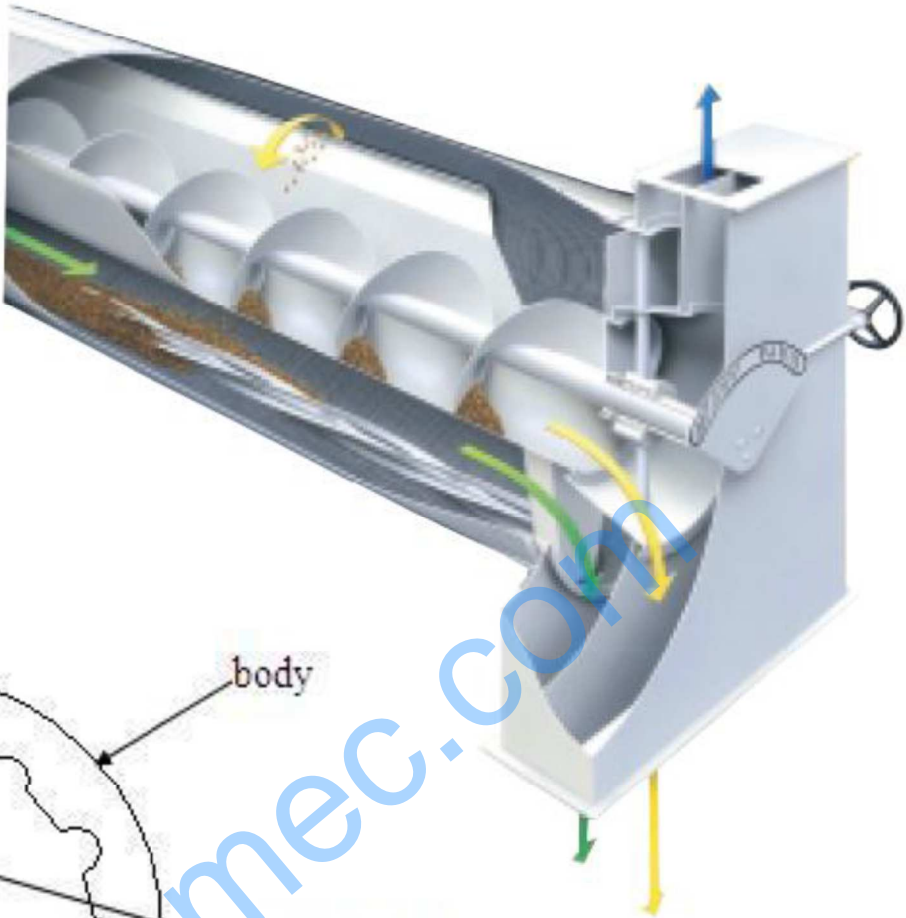
**Working Principle**

Grain shorter than indents

in yellow color.

Grain Longer than Indents

in green color.



**(Rice for example)**

For white rice it can separate head rice and broken rice, rid roll stone and barnyard grass which have the same diameter and specific gravity with rice, etc.

When the rice enter the inlet housing, the rice will flow into the interior rotating cylinder, the cover of cylinder has indents which make the shorter rice embed inside, and during the rotation of cylinder, the shorter rice will fall out of the indents into the separator tank and then be discharged by a screw conveyor. And other rice that longer than indents will remains inside the shell and be carried to other outlets.

## Models of 5XWY Indented Cylinder



5XWY-A series (single cylinder)



5XWY-B series (double cylinders)



5XWY-C series (triple cylinders)

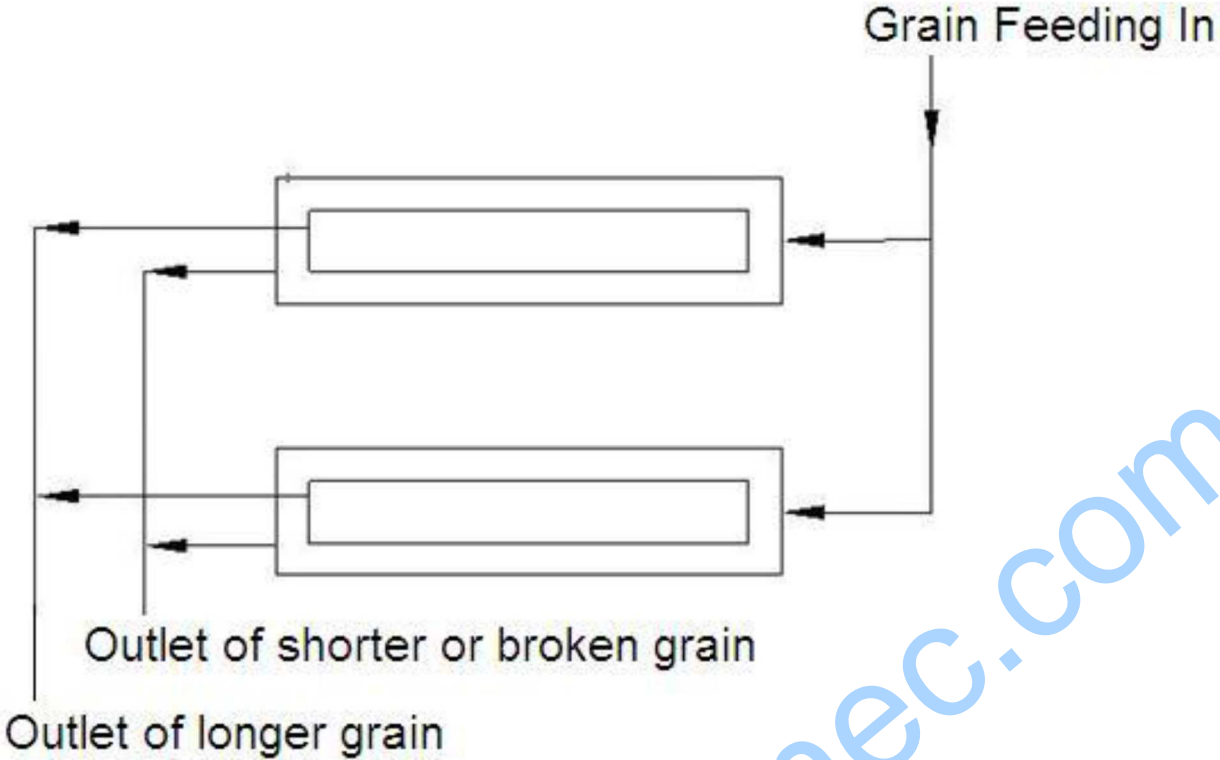
### Specifications:

Model No.	Capacity(kg/h)	Cylinder Length(mm)	Power (kw)	Dimension(mm)	Weight(kg)
5XWY-50A	600	500*1800	0.75	2800x750x1000	350
5XWY-50B	1500	500*1800	0.75 x 2	2800x750x1900	690
5XWY-50C	2500	500*1800	0.75 x 3	3250x750x2800	1040
5XWY-60A	1500	600*2000	1.1	2700x1000x1000	480
5XWY-60B	2500	600*2000	1.1 x 2	2700x1000x1950	950
5XWY-60C	4000	600*2000	1.1 x 3	2800*1000*1975	1420
5XWY-71A	2000	710x2500	1.1	3300x1100x1100	610
5XWY-71B	5000	710x2500	1.1 x 2	3300x1100x2000	1200
5XWY-71C	6000	710x2500	1.1 x 3	3500*1100*3100	1800

Note: In all above B&C models, the cylinders are in parallel connection that provide larger capacity. There are series connection available, which can grade one more size level than parallel connection but the capacity is smaller.

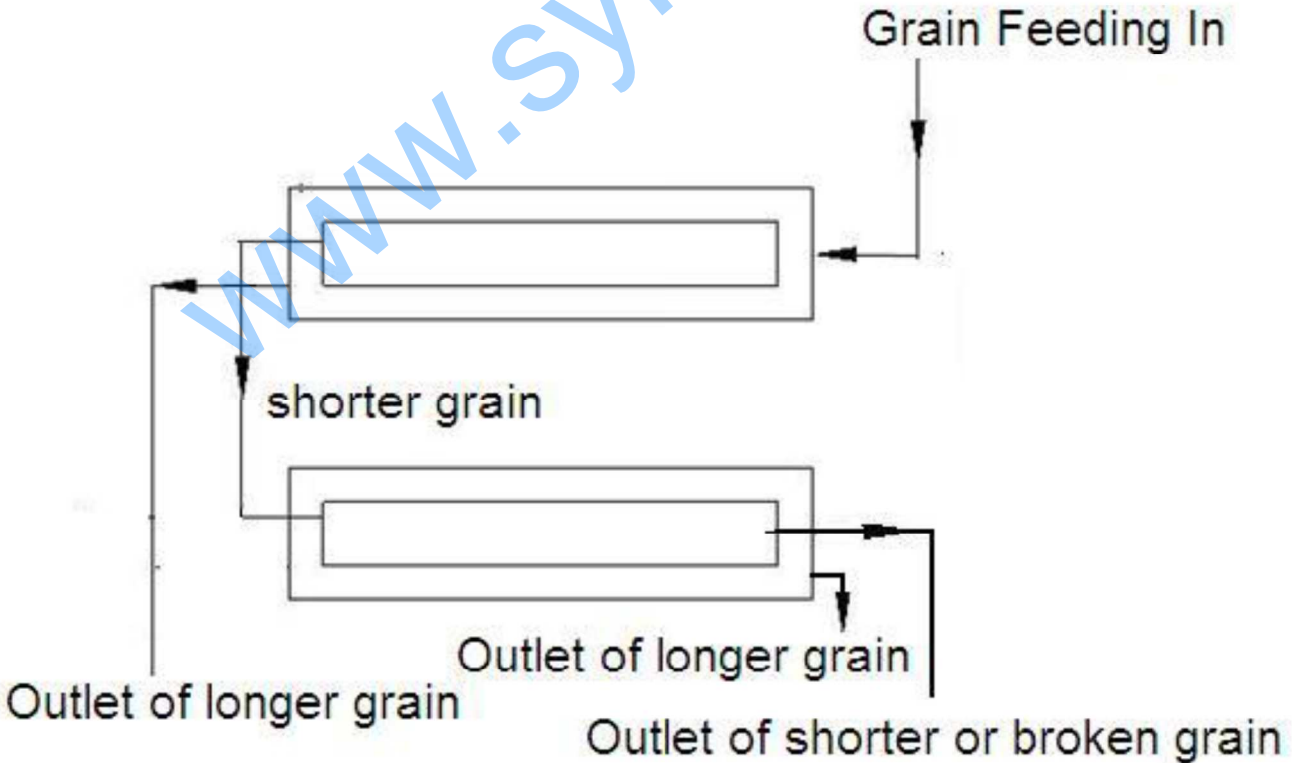
**Two difference connections for B & C models:**

1. In Parallel Connection: (this type provide large capacity)



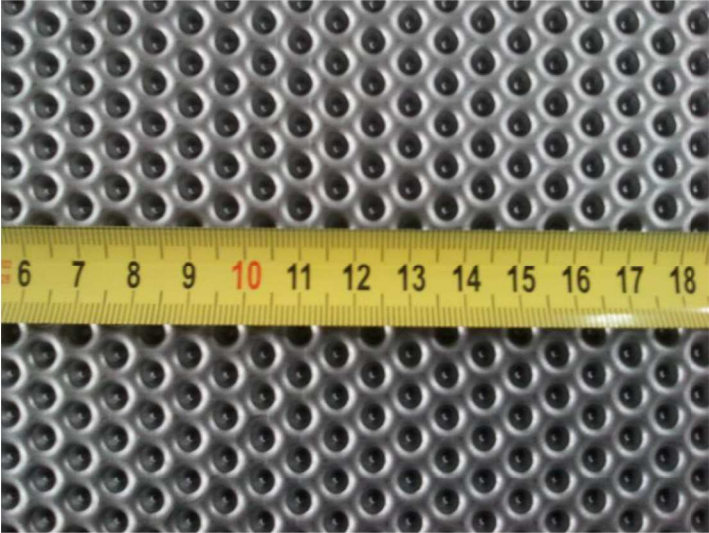
Note: The indents size usually are same, but can be different for special request.

2. In Series Connection: (this type capacity is small but with more grades)



Note: The indents size usually are different, so can grade grain into one more levels.

**Machine details:**



We provide tear-shaped indents, the indents size can be from 2.5mm to 20mm, which can be ordered according to request of clients.



**Cylinder Segments**

We provide cylinders in several segments easy to change according to different indents size, and we also provide quick-release catches.





Screw Conveyor that inside of cylinder



Adjusting Handle to control percentage of longer and shorter grain in outlets



We usually provide chain drives for normal motors.  
But we can also provide you gear motors that are directly drive (need extra cost)

We can provide protection cover for indented cylinder (need extra cost)





**Indented Cylinder in Seed Processing Plants:**



We are the best choice for you!

**Factory view**



Office Building

Workshops

**We have professional manufacturing equipment!**

Drilling and milling machine	CNC lathe	Laser cutting machine
		
Plasma cutting machine	Bending machine	Shearing machine
		

We can provide over sea machine assembly and staff training services!



We have strong production capacity!



One time produce 6 sets 5XZD-15AC



One time produce 33 sets QSX-85 Destoner



One time produce 40 sets 5XZ-6 Gravity Separator



One time produce 30 sets 5BY-5B Seed Coating Machine



# Healthy Grain, Pretty Beans, Strong Seed. SYNMEC

We serve for



Shijiazhuang SYNMEC International Trading LTD. and Hebei RUIXUE Grain Selecting Machinery Limited have all the copyright of the information and pictures provided in this leaflet. We have all the rights to do necessary adjustments on the product, and these changes may not reflect on the leaflet at the moment of production.

Address:  
Head office: 15th Guangan Street,  
Shijiazhuang City, Hebei Province,  
China 050011  
Manufactory: Huaihe Industry Park,  
Hongqida Street, Shijiazhuang City,  
Hebei Province, China 050000

Tel: +86 311 676663887  
+86 311 89901997  
Fax: +86 311 676663887  
Mobile: +86 13273161281 (Tony)  
Whatsapp: +86 13803340060  
Imo: +86 13803340060  
Wechat: 13803340060  
Email: [tony@synmec.com](mailto:tony@synmec.com)