

ISO
9001:2008
REGISTERED



SGS



BUREAU
VERITAS

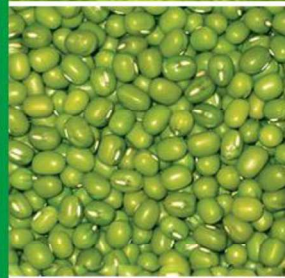


www.synmec.com

SYNMEC

5XWM Series Indented Cylinder

Advanced cleaner removes larger and shorter seed and damaged seed.



SYNMEC

The world top Manufacturer Adviser for Grain Cleaning Seed Processing Solutions

Introduction

The 5XWM Series Indented Cylinder (Length Grader) also named Grain Selecting Grader or Broken Grain Separator. It grades the grain & seeds according to length, it can separate the longer or shorter impurities from granular materials.

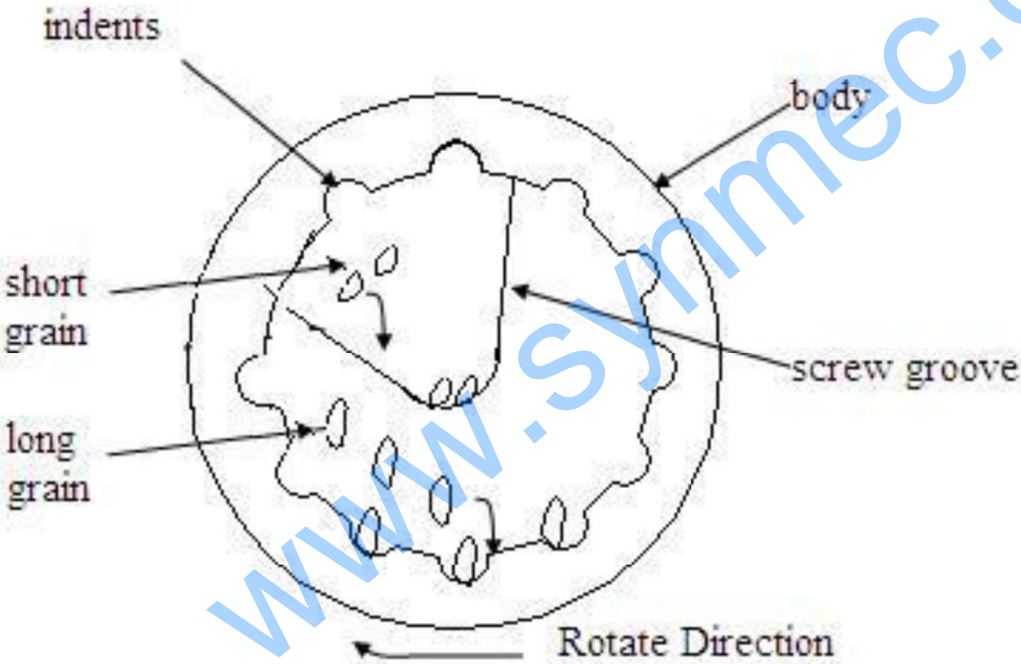
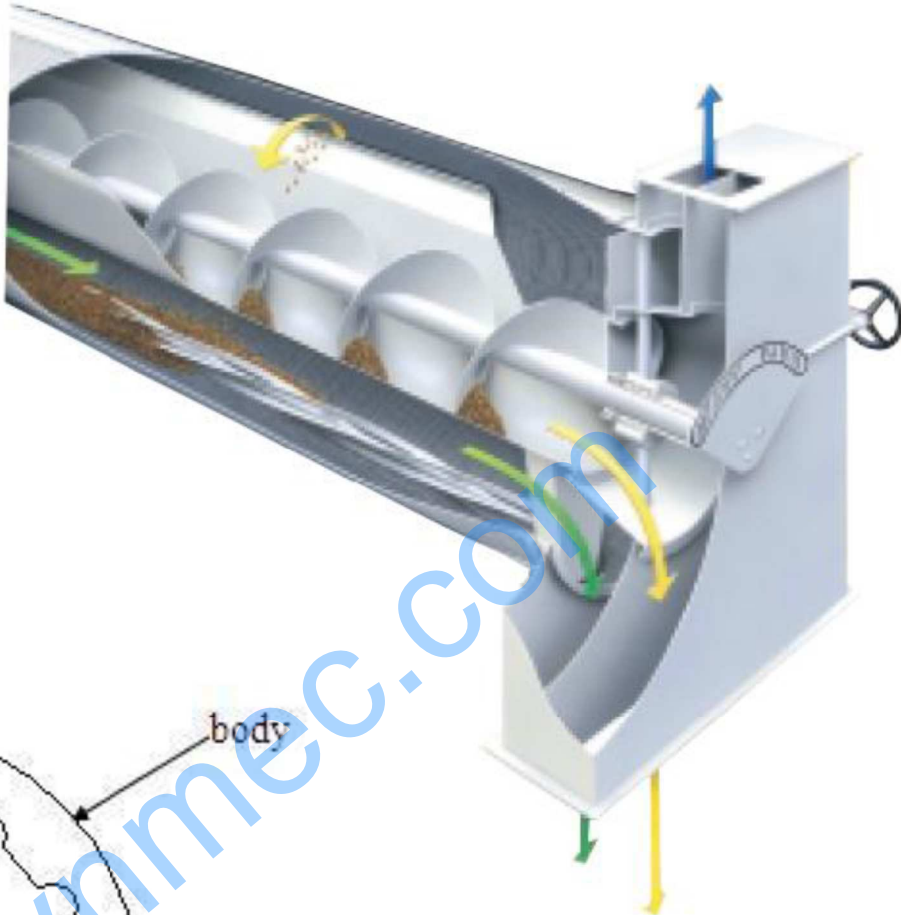
Indented cylinders are used for length grading of all granular materials such as wheat, oat, buckwheat, grass seed, sticks from sunflower seed or sugar beet, plastic particles etc., as well as for extraction of unwanted short or long admixtures.



Working Principle

Grain shorter than indents
in yellow color.

Grain Longer than Indents
in green color.



When the grain enter the inlet housing, the rice will flow into the interior rotating cylinder, the cover of cylinder has indents which make the shorter grain embed inside, and during the rotation of cylinder, the shorter grain will fall out of the indents into the separator tank and then be discharged by a screw conveyor. And grain that longer than indents will remains inside the shell and be carried to other outlets.

Models of 5XWM Indented Cylinder



5XWM-63X41S & 5XWM-71X41S

(Auxiliary cylinder is single)



5XWM-63X56D & 5XWM-71X56D

(Auxiliary cylinder is double)

Specifications:

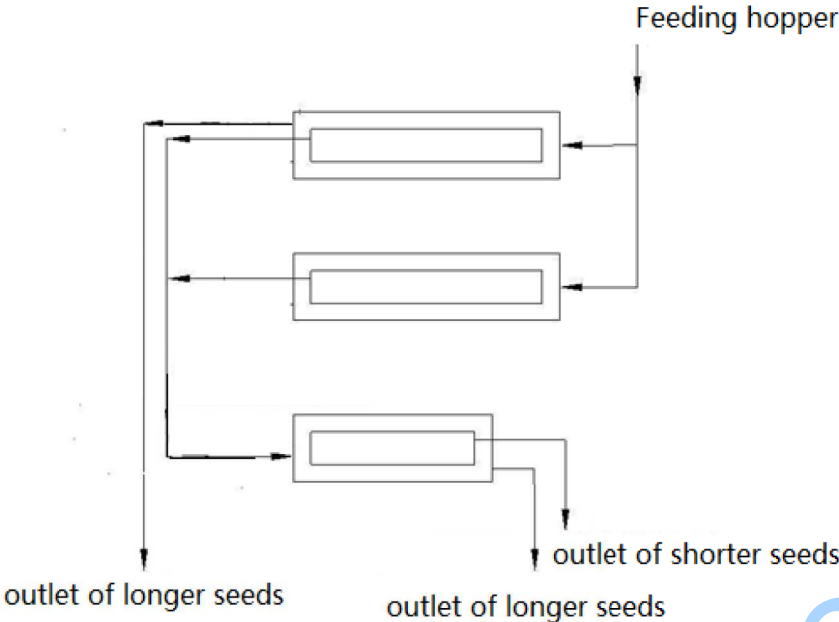
Model No.	Capacity (kg/h)	Cylinder Length (mm)	Power (kw)	Dimension (mm)	Weight (kg)
5XWM-63X41S	12000	Main Cylinder 630*3000mm Auxiliary cylinder :415*1250mm	5.5	3750*1000*2700	2200
5XWM-71X41S	15000	Main Cylinder 710*3000mm Auxiliary cylinder :415*1250mm	5.5	3750*1100*2700	2300
5XWM-63X56D	8000	Main Cylinder 630*3000mm Auxiliary 1st cylinder :415*1250mm Auxiliary 2nd cylinder :560*1250mm	5.9	3800*1000*2700	2400
5XWM-71X56D	9000	Main Cylinder 710*3000mm Auxiliary 1st cylinder :415*1250mm Auxiliary 2nd cylinder :560*1250mm	5.9	3800*1100*2700	2500

Note: There are three motors in 5XWM-63X41S & 71X41S models, which are two 2.2KW motors for top two cylinders, and one 1.1KW for the auxiliary cylinder.

There are three motors in 5XWM-63X56D & 71X56D models, which are two 2.2KW motors for top two cylinders, and one 1.5KW for the two auxiliary cylinders.

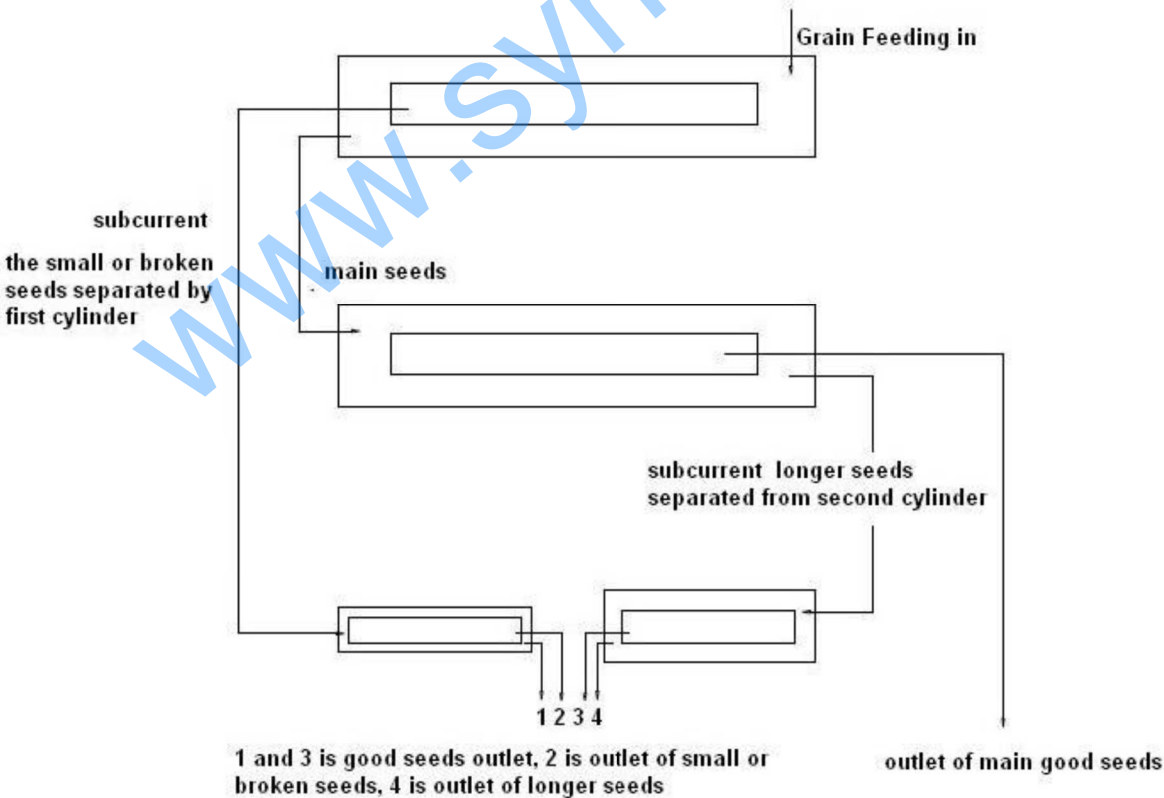
Working Flow Chart

1. 5XWM-63X 41S & 5XWM-71X41S model



Note: The top two cylinders usually in parallel connection, the auxiliary cylinder for secondary selection to ensure longer and shorter seeds separated completely.

2. 5XWM-63X56D & 5XWM-71X56D model



For example, to separate oats and buckwheat from wheat.
 (wheat is good seeds, buckwheat is small seeds, oats is longer seeds.)
 This model can separate more grades and suitable for purpose to remove longer and shorter impurities at the same time.

Machine details:



We provide tear-shaped indents, the indents size can be from 2.5mm to 20mm, which can be ordered according to request of clients.



Cylinder Segments

We provide cylinders in several segments easy to change according to different indents size, and we also provide quick-release catches.





Screw Conveyor that inside of cylinder



Adjusting Handle to control percentage of longer and shorter grain in outlets



We usually provide chain drives for normal motors.
But we can also provide you gear motors that are directly drive (need extra cost)

We can provide protection cover for indented cylinder (need extra cost)



Indented Cylinder in Seed Processing Plants:



We are the best choice for you!

Factory view



Office Building

Workshops

We have professional manufacturing equipment!

Drilling and milling machine	CNC lathe	Laser cutting machine
		
Plasma cutting machine	Bending machine	Shearing machine
		

We can provide over sea machine assembly and staff training services!



We have strong production capacity!



One time produce 6 sets 5XZD-15AC



One time produce 33 sets QSX-85 Destoner



One time produce 40 sets 5XZ-6 Gravity Separator



One time produce 30 sets 5BY-5B Seed Coating Machine

Healthy Grain, Pretty Beans, Strong Seed. SYNMEC

We serve for



Shijiazhuang SYNMEC International Trading LTD. and Hebei RUIXUE Grain Selecting Machinery Limited have all the copyright of the information and pictures provided in this leaflet. We have all the rights to do necessary adjustments on the product, and these changes may not reflect on the leaflet at the moment of production.

Address:
Head office: 15th Guangnan Street,
Shijiazhuang City, Hebei Province,
China 050011
Manufactory: Huaihe Industry Park,
Hongqida Street, Shijiazhuang City,
Hebei Province, China 050000

Tel: +86 311 676663887
+86 311 89901997
Fax: +86 311 676663887
Mobile: +86 13273161281 (Tony)
Whatsapp: +86 13803340060
Imo: +86 13803340060
Wechat: 13803340060
Email: tony@synmec.com